

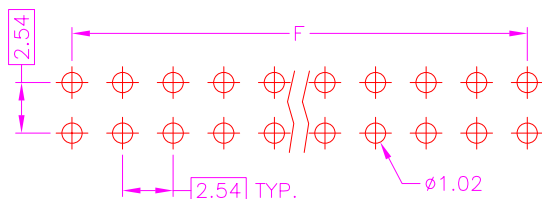
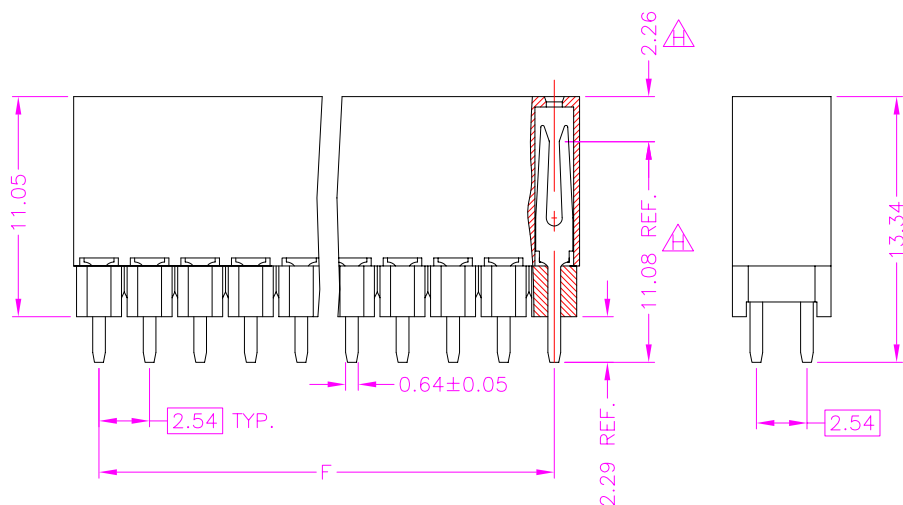
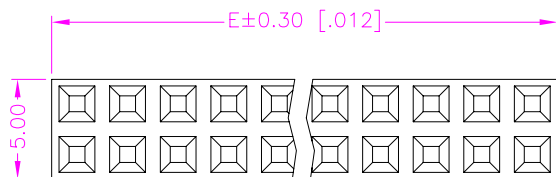
REV.	DESCRIPTION	DATE
A	RELEASE	May 08, 2002
B	DRAW MODIFY	Nov. 11, 2002
C	RoHS MODIFY	Jun. 09, 2005
D	DRAW MODIFY	Dec. 14, 2005
E	P/N MODIFY	Oct. 18, 2006
F	DRAW MODIFY	Jan. 16, 2007
G	MATERIALS MODIFY	Mar. 19, 2009
H	DRAW MODIFY	Apr. 23, 2013

$$E = (\text{NO. OF POSITION PER ROW}) \times 2.54 + 0.66$$

$$(\text{NO. OF POSITION PER ROW}) \times 1.00 + .026$$

$$F = (\text{NO. OF POSITION PER ROW} - 1) \times 2.54$$

$$(\text{NO. OF POSITION PER ROW} - 1) \times 1.00$$



RECOMMEND P.C.B. LAYOUT  
TOP VIEW

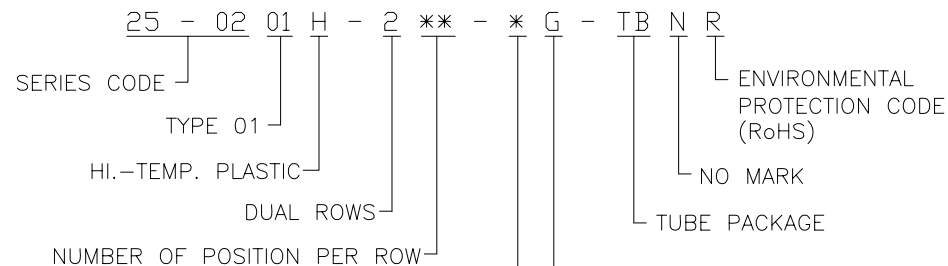
### MATERIALS

1. HOUSING : NYLON 6T (UL 94V-0), BLACK.
2. TERMINAL : PHOSPHOR BRONZE. (t=0.64mm)
3. STRIP : NYLON 6T, BLACK.

### SPECIFICATION

1. CURRENT RATING : 3 AMP. MAX.
2. DIELECTRIC WITHSTANDING VOLTAGE :  
1000V AC R.M.S. FOR ONE MINUTE.
3. INSULATION RESISTANCE : 5000M OHMS MIN.  
AT 1000V DC.
4. CONTACT RESISTANCE : 30m OHMS MAX.
5. OPERATING TEMPERATURE : -55°C TO +105°C.

### PART NUMBER INFORMATION :



### CONTACT PLATING OPTIONS

- 1 : GOLD FLASH
- 2 : .000010" GOLD
- 3 : .000015" GOLD
- 4 : .000020" GOLD
- 5 : .000030" GOLD

TOLERANCE		DRAWER	 <b>Astron</b> <b>WWW.ASTRON.COM.TW</b>
.0=±0.30 .00=±0.20 .000=±.XXX .0000=±. ANG.=±3°		CHECK	
		APP'D	NAME
UNITS : mm		PRODUCT SPEC.	POST HEADER RECEPTACLE 2.54mm PITCH, P.C.B. MOUNT VERTICAL, ELEVATED TYPE
SCALE	SIZE	SHEET	DRAW NO.
NONE	A4	1 OF 1	C25-0201H-2XX-XG-TB NR
		REV.	(A)
			H0007