

# RYLR498

UART Interface  
426/433/470MHz LoRa®  
Antenna Transceiver Module

Datasheet



## PRODUCT DESCRIPTION

The RYLR498 transceiver module feature the LoRa® long range modem that provides ultra-long range spread spectrum communication and high interference immunity whilst minimizing current consumption.

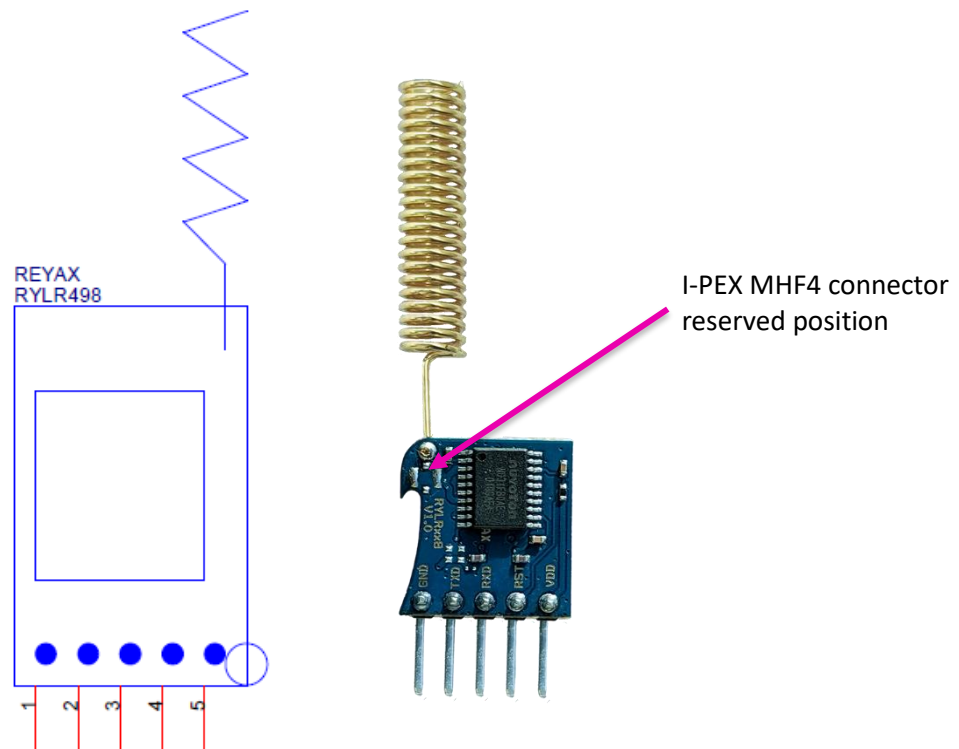
## FEATURES

- NUVOTON MCU & Semtech LoRa® Engine
- Excellent blocking immunity
- Smart receiving power saving mode
- High sensitivity
- Control easily by AT commands
- Built-in antenna

## APPLICTIONS

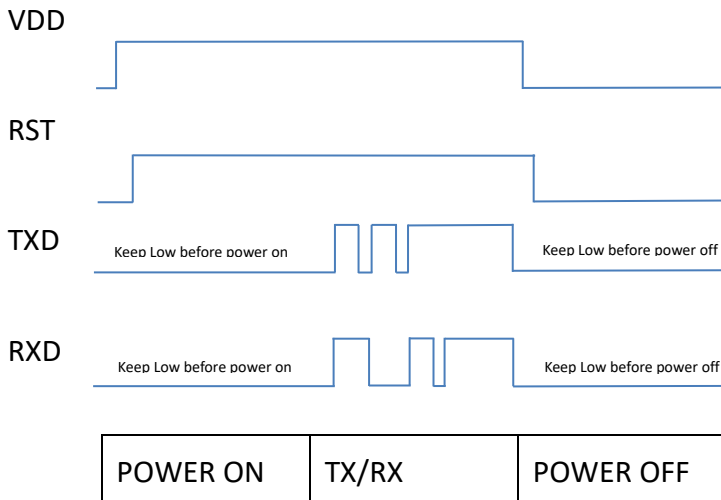
- IoT Applications
- Mobile Equipment
- Home Security
- Industrial Monitoring and Control Equipment

## PIN DESCRIPTION

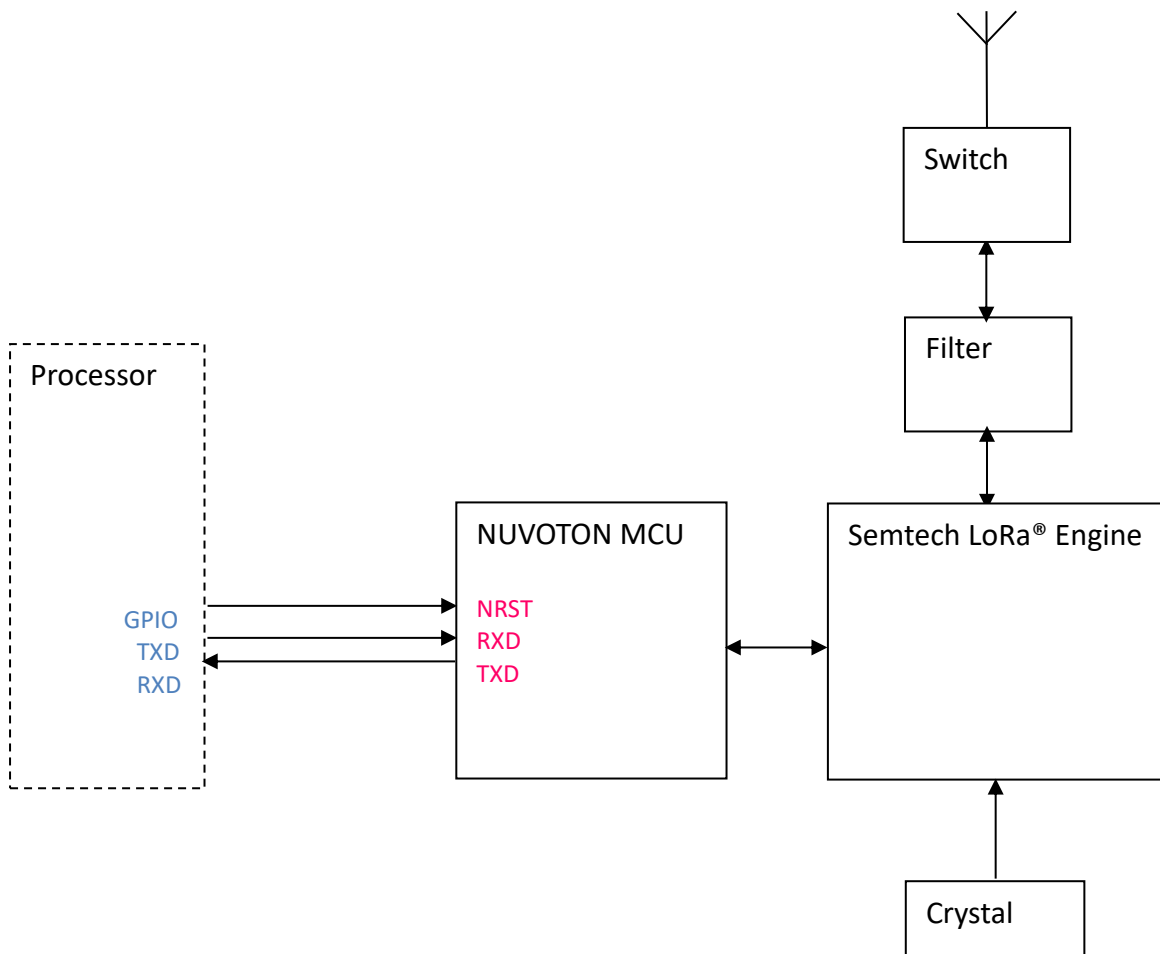


Pin	Name	I/O	Condition
1	VDD	I	Power Supply
2	NRST	I	RESET(Active Low) 100K $\Omega$ Internal pull up, Pull down at least 100ms
3	RXD	I	UART Data Input
4	TXD	O	UART Data Output
5	GND	-	Ground

## TIMING DIAGRAM



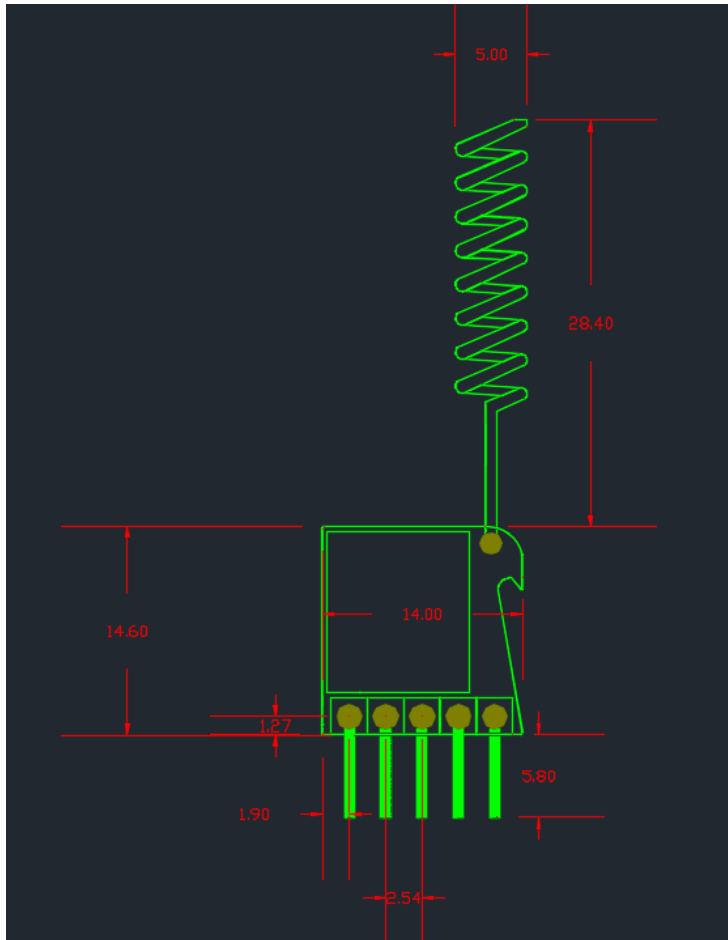
## BLOCK DIAGRAM



## SPECIFICATION

Item	Min.	Typical	Max.	Unit	Condition
VDD Power supply	1.8	3.3	3.6	V	VDD
RF Output power range	-20		22	dBm	
Filter insertion loss	1	2	3	dB	
RF Sensitivity	-129			dBm	
RF Input level			10	dBm	
Frequency range	390	433	525	MHz	
Frequency accuracy		±10		ppm	
Transmit Mode current		140		mA	RFOP = +22dBm
Receive Mode current		17.5		mA	
Sleep mode current		15		uA	AT+MODE=1
Smart receiving power saving mode average current	0.02	2.7	5.5	mA	AT+MODE=2,3000,3000
Baud rate	300	115200	115200	bps	8, N, 1
Digital Input Level High	0.7*VDD		VDD	V	VIH
Digital Input Level Low	0		0.3*VDD	V	VIL
Digital Output Level High	0.9		VDD	V	VOH
Digital Output Level Low			0.1	V	VOL
Cycling (erase / write) Flash data memory		200		K	Cycles
Weight		2		g	
Operating temperature	-40	25	+85	°C	

## DIMENSIONS



Unit : mm

## ORDER INFORMATION

Ordering No.	Pin Header	Antenna or I-PEX MHF4 Connector
RYLR498	90 Degree Angle	Antenna
RYLR498_M4	90 Degree Angle	I-PEX MHF4 Connector
RYLR498_NP	Not mount	Antenna

**REYAX**  
TECHNOLOGY CORPORATION, LTD

**E-mail :** [sales@reyax.com](mailto:sales@reyax.com)  
**Website :** <http://reyax.com>