

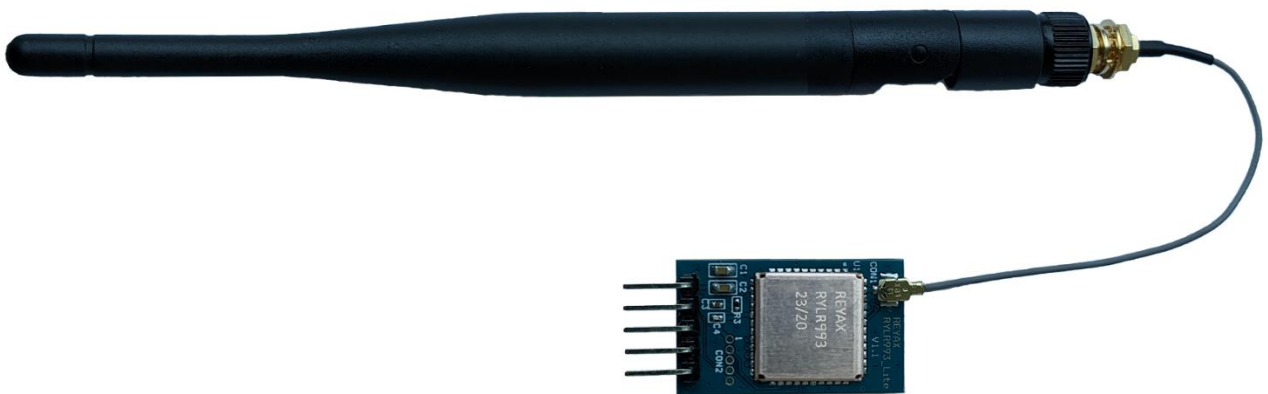
RYBG993_Lite

868/915MHz LoRaWAN® Transceiver Module

Helium Compatible

Lite Evaluation Board

Datasheet



PRODUCT DESCRIPTION

The RYLR993_Lite 868/915MHz LoRaWAN® Transceiver Module feature the LoRa long range modem that provides ultra-long range spread spectrum communication and high interference immunity whilst minimising current consumption.

FEATURES

- Helium Compatible.
- Industrial LoRa® SOC Engine.
- Customized firmware design service is available.
- AT Command over UART interface
- High sensitivity.
- Temperature sensor.
- Low power consumption.
- AES128 CCM Data encryption
- LoRaWAN® class A, B & C support
- LoRaWAN® and LoRa® Proprietary selection.
- RYLR993 Support band : AS923, EU868, IN865, US915, AU915, EU868, KR920, US915, RU864
-

APPLICATIONS

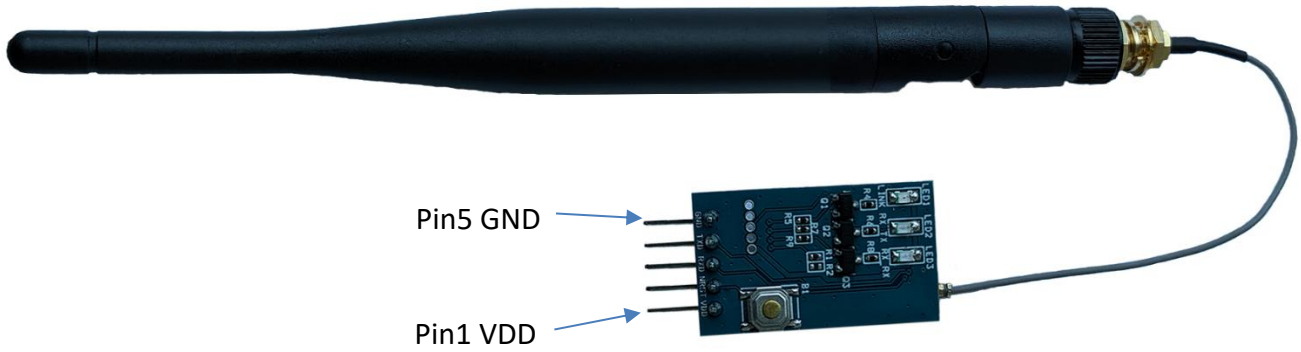
- IoT Applications
- Mobile Equipment
- Home Security
- Industrial Monitoring and Control Equipment
- Car Alarm

SPECIFICATION

Item	Min.	Typical	Max.	Unit	Condition
VDD Power Supply	1.8	3.3	3.6	V	VDD Power Supply
RF Output Power Range	-4	20	22	dBm	
Frequency Range	820	868/915	960	MHz	
Transmit Current		140		mA	RFOP = +22 dBm
Class A Current		5		uA	
Class B & C Current		5		mA	
Baud rate		9600		bps	8, N, 1
Operating Temperature	-40	25	+85	°C	
Antenna					External Antenna

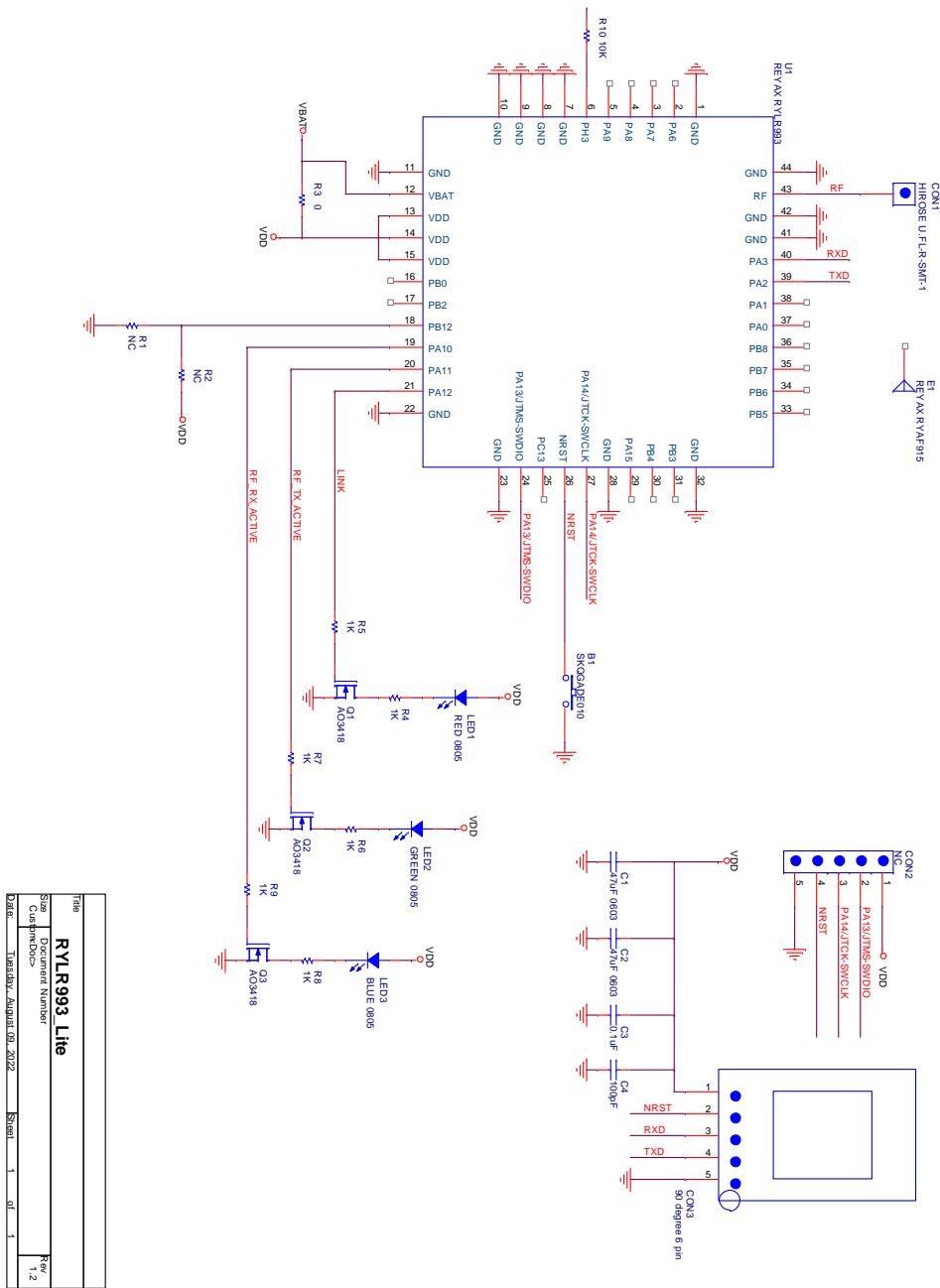
***For more detail, please refer to the REYAX RYLR993 information.**

PIN DESCRIPTION



Pin	Name	I/O	Condition
1	VDD	I	Power Supply
2 Button	NRST	I	Low reset trigger input
3	RXD	I	UART Data Input
4	TXD	O	UART Data Output
5	GND	-	Ground

RYL993_Lite SCHEMATIC



sales@reyax.com

<http://reyax.com>