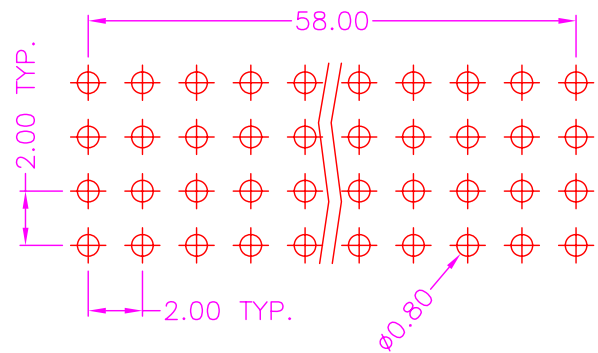
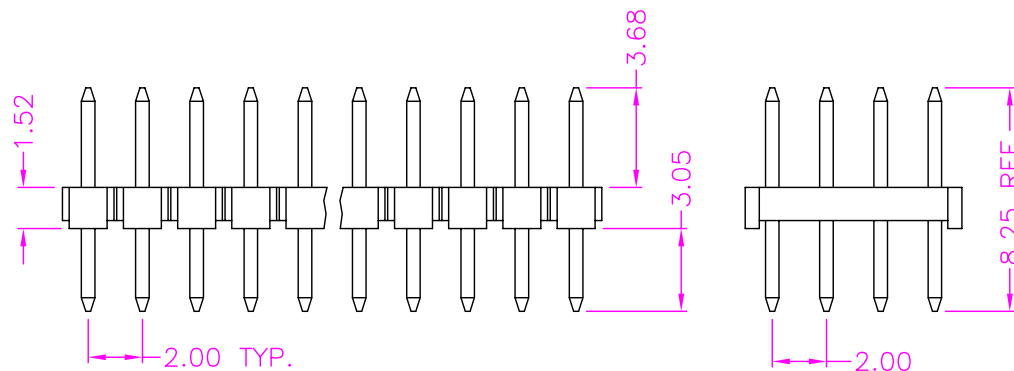
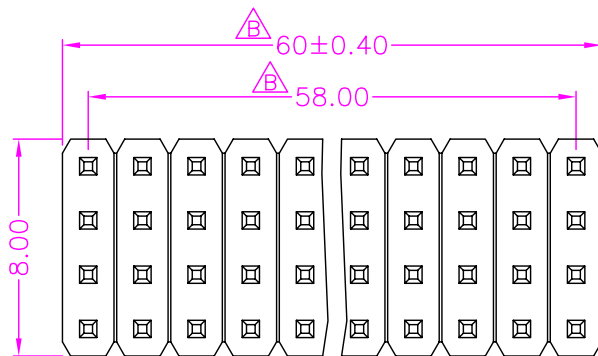
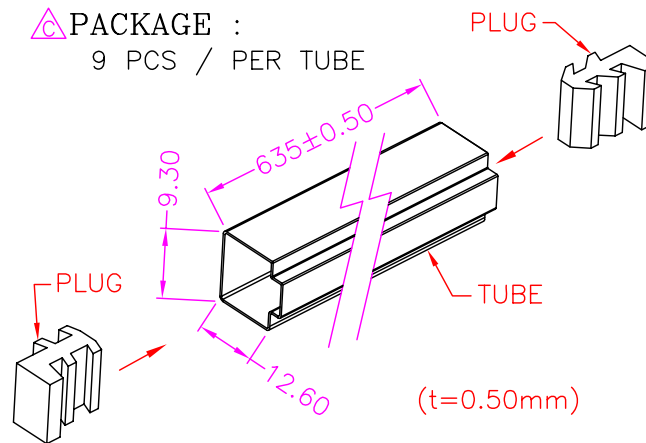


REV.	DESCRIPTION	DATE
A	RELEASE	Jan. 11, 2006
B	DRAW. MODIFY	Aug. 28, 2012
C	ADD. PACKAGE	Jan. 16, 2017



RECOMMEND P.C.B. LAYOUT
TOP VIEW

PACKAGE :
9 PCS / PER TUBE



Remark:
Push one of stopper next to connector
preventing sideways movement.

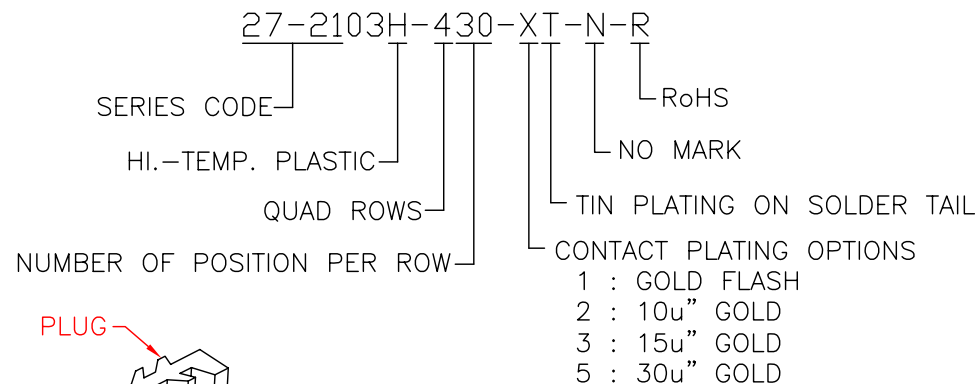
MATERIALS

1. HOUSING : NYLON 6T (UL 94V-0), BLACK.
2. TERMINAL : S.Q. 0.50mm BRASS.

SPECIFICATION

1. CURRENT RATING : 1 AMP. MAX.
2. DIELECTRIC WITHSTANDING VOLTAGE : 800V AC R.M.S. FOR ONE MINUTE.
3. INSULATION RESISTANCE : 5000M OHMS MIN. AT 500V DC.
4. CONTACT RESISTANCE : 30m OHMS MAX.
5. OPERATING TEMPERATURE : -55°C TO +105°C.

PART NUMBER INFORMATION :



TOLERANCE		DRAWER		 WWW.ASTRON.COM.TW
.0=±0.30		JINJ		
.00=±0.20		CHECK		
.000=±.XXX		NPOLE		
.0000=±.		APP'D		NAME POST HEADER 2.00mm PITCH, P.C.B. MOUNT VERTICAL
ANG.=±3°		ERP		
		PRODUCT SPEC.		DRAW NO. C27-2103H-430-XT-N-R
UNITS : mm		---		
SCALE	SIZE	SHEET	REV.	05005
NONE	A4	1 OF 2	C	H0007