



>Electrical Parameter

1. The product meets RoHS Directives.
2. Aurum Part Number : XD16NC000032C0
3. Holder Type : X1610
4. Center Frequency : 32.768 KHz
5. Frequency Tolerance (at 25+/-3 deg.C) : +/- 20 ppm max.
6. Frequency Stability : -0.04+/-0.001 ppm/deg.C² (over operating temperature)
7. Operating Temperature : -40 ~ 85 deg.C
8. Storage Temperature : a. 25+/-5 deg.C / 45+/-15% R.H.
: b. -55 ~ 125 deg. C
9. Equivalent resistance(ESR) : 90K ohm max.
10. Load Capacitance (CL) : 12.5 +/-0.1 pF
11. Shunt capacitance (C0) : 1.3 pF typ.
12. Motional capacitance (C1) : 6.4 fF typ.
13. Drive Level (DL) : 0.1 uW typ. / 0.5 uW max.
14. Aging : +/-3.0 ppm max.
15. Insulation resistance : 500M ohm min. at D.C 100V/1 minute

Rev.	Date	Remark		
1	2015/11/4	First Edition		
			Prepared	Cindy
			Checked	Cindy
			Approved	Cindy



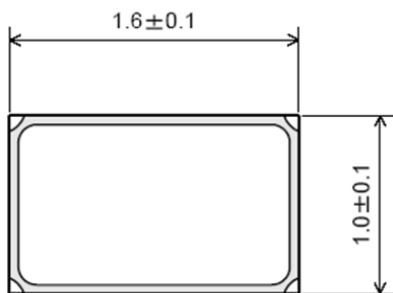
>Marking



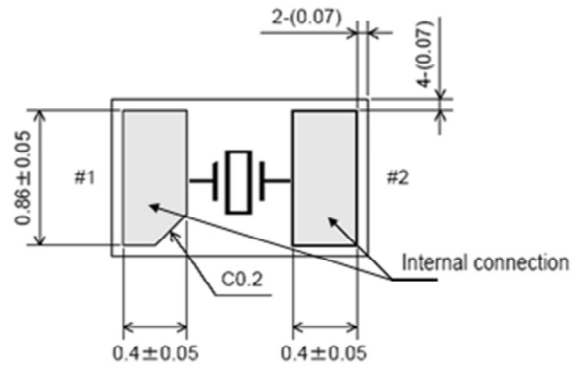
Production line code, Lot No.

>Dimension

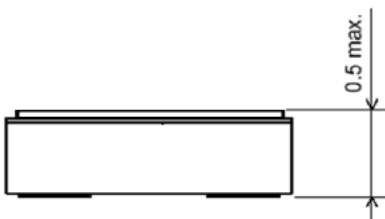
< Top View >



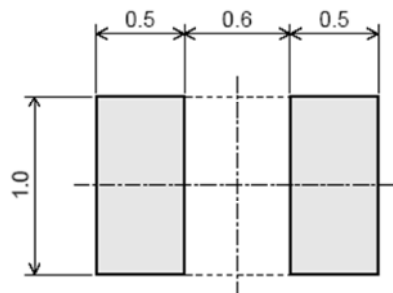
< Bottom View >



< Side View >

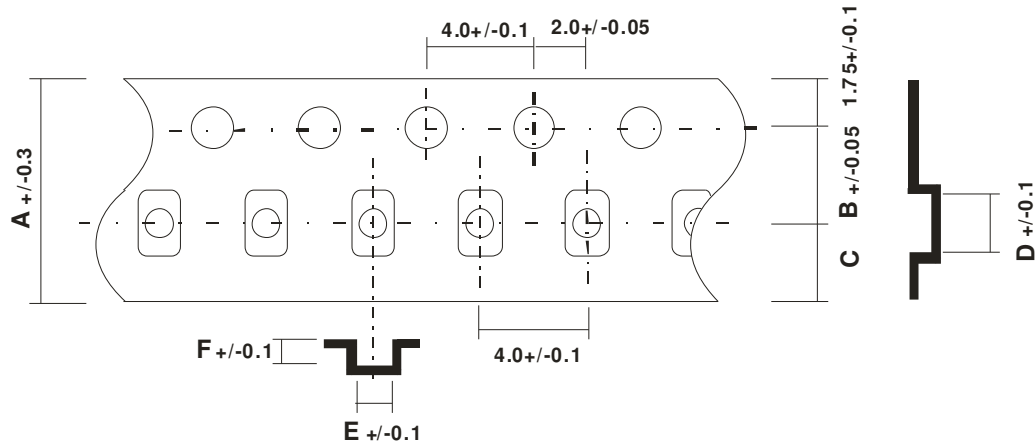


< Pad Pattern >



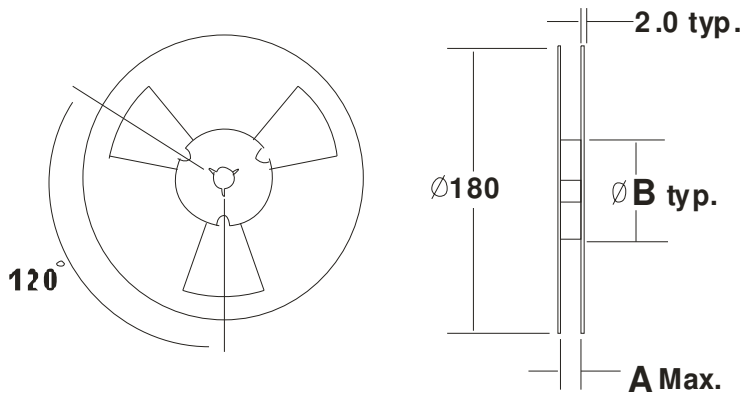


>TAPE Dimensions (mm)



Series	A	B	C	D	E	F
X1610	8.0	3.5	2.8	1.85	1.25	0.65
X2012	8.0	3.5	2.8	2.3	1.5	0.8
X3215	12.0	5.5	4.8	3.6	1.9	1.0

>REEL Dimensions (mm)



Unit : mm

Series	A	B	Q'ty/Reel
X1610	9	60	3000
X2012	9	60	3000
X3215	14	60	3000