

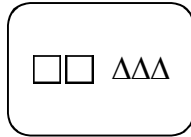


- 1. The Product meets RoHS Directives.
- 2. Aurum Part Number : XD247C05000090
- 3. Holder Type : X2520
- 4. Center Frequency(CF) : 50.000 MHz (Freq. code : "AZ")
- 5. Oscillation mode / Blank cut mode : Fundamental / AT-Cut
- 6. Frequency Tolerance (at 25+/-3 deg.C) : +/- 10 ppm max.
- 7. Frequency Stability : +/- 25 ppm max.
 (over operating temperature)
- 8. Operating Temperature : -40 ~ 85 deg.C
- 9. Storage Temperature : a. 25+/-5 deg.C / 45+/-15% R.H.
 b. -55 ~ 125 deg.C
- 10. Equivalent series resistance(ESR) : 70 ohm max.
- 11. Load Capacitance (CL) : 9.0 +/-0.1 pF
- 12. Shunt capacitance (C0) : 1.5 pF max.
- 13. Drive Level (DL) : 100 uW typ. / 200 uW max.
- 14. Aging : +/- 3.0 ppm max.
- 15. Insulation resistance : 500M ohm min. at D.C 100V

Rev.	Date	Remark		
2	2015/12/04	DL:50uW typ. change to 100uw typ./200uW max.		
1	2012/08/09	First Edition	Prepared	Cindy
			Checked	cindy
			Approved	cindy



> Marking



□□ : **Frequency Code**

1~2 Characters(refer to specification)

△△△ : **Lot No. , 3 Characters**

character 1 : Year code (refer to Table 1)

character 2 : Week code (refer to Table 2)

character 3 : Prouction line code

Table 1

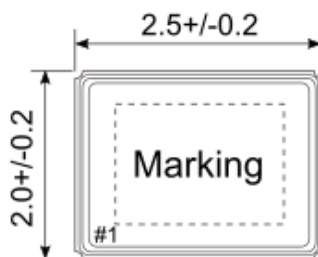
Year	2021	2022	2023	2024	2025
Code	1	2	3	4	5
Year	2026	2027	2028	2029	2030
Code	6	7	8	9	0

Table 2

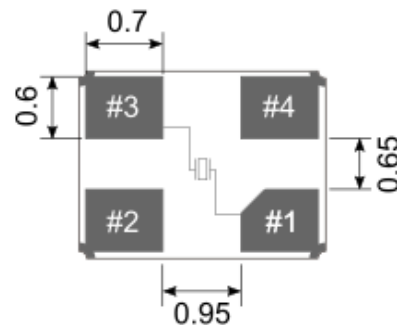
Week	1	2	3	4	5	6	7	8	9	10	11	12	13
Code	A	B	C	D	E	F	G	H	I	J	K	L	M
Week	14	15	16	17	18	19	20	21	22	23	24	25	26
Code	N	O	P	Q	R	S	T	U	V	W	X	Y	Z
Week	27	28	29	30	31	32	33	34	35	36	37	38	39
Code	a	b	c	d	e	f	g	h	i	j	k	l	m
Week	40	41	42	43	44	45	46	47	48	49	50	51	52
Code	n	o	p	q	r	s	t	u	v	w	x	y	z

> Dimension

< Top View >



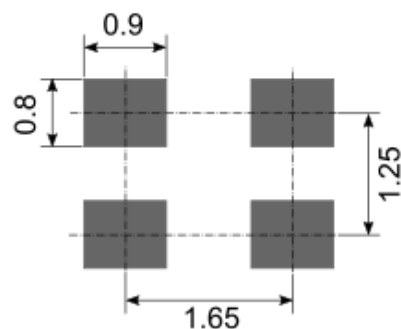
< Bottom View >



< Side View >

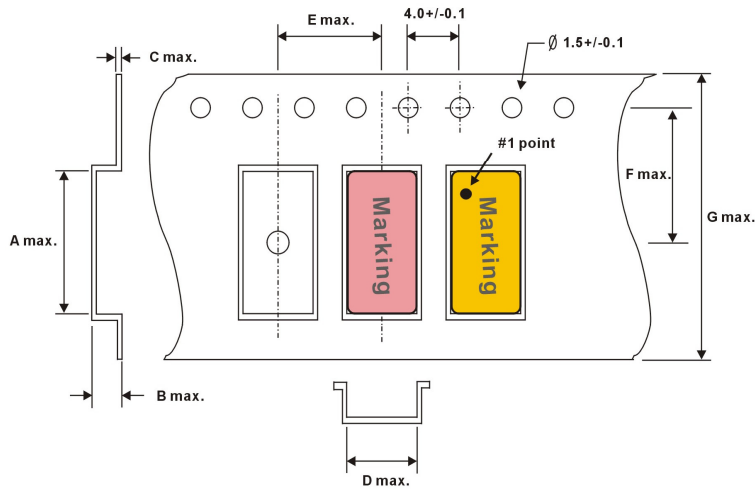


< Pad Pattern >



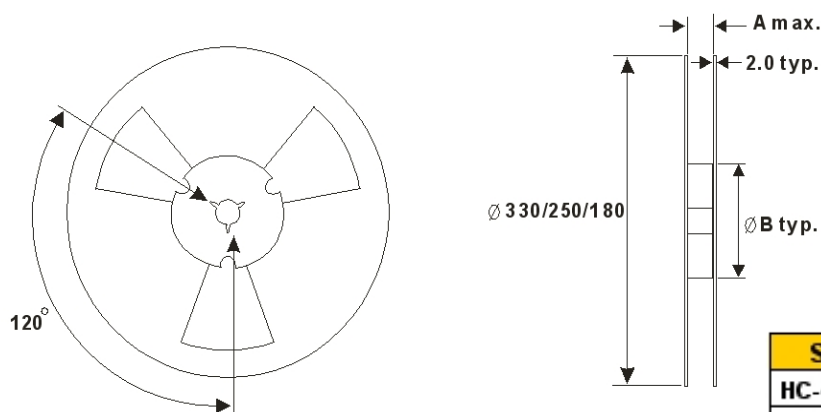


> TAPE Dimensions (mm)



Series	A	B	C	D	E	F	G	#1 point
HC-49S SMD	14.5	5	0.5	6	12	11.6	24.5	X
X8045	8.6	2.5	0.4	4.1	8	7.6	16.5	V
X7050	8.0	2.1	0.4	5.6	8.0	7.6	16.5	V
X6035	6.5	1.5	0.4	4.0	8.0	5.6	16.5	V
X5032	5.6	1.5	0.4	3.6	8.0	5.6	12.5	V
X4025	4.5	1.5	0.4	3.0	4.0	5.6	12.5	V
X3225	3.6	1.5	0.3	2.9	4.0	3.5/5.5	8.0/12.0	V
X2520	2.7	1.15	0.25	2.25	4.0	3.5	8.0	X
X2016	2.3	1.0	0.25	1.9	4.0	3.5	8.0	X

> REEL Dimensions (mm)



Series	A	B	Q'ty/Reel
HC-49S SMD	27	100	1K
X8045	16.5	80	1K
X7050	16.5	62	1K
X6035	16.5	62	1K
X5032	12.5	62	1K
X4025	12.5	60	1k
X3225	10/12.5	60	3K
X2520	10/12.5	60	3K
X2016	10/12.5	60	3K